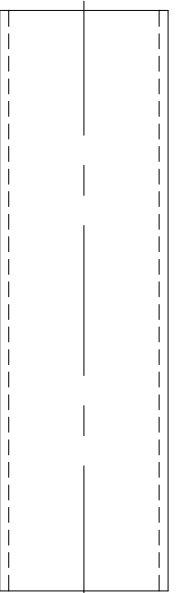
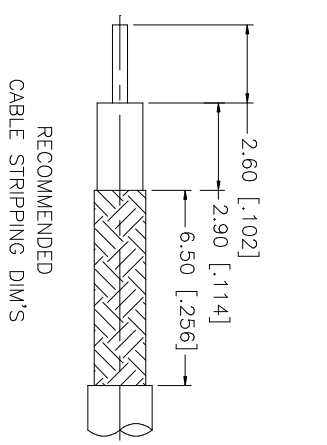
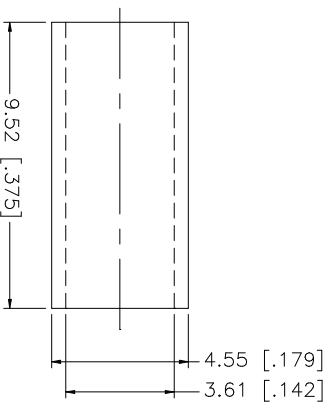
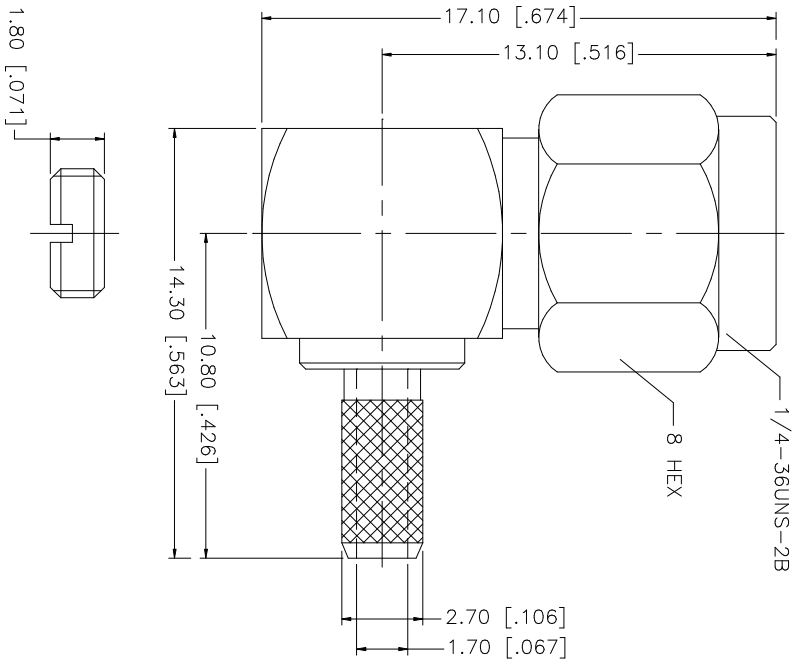


REV.	DATE	DESCRIPTION
C	02/18/03	UPDATE DRAWING FORMAT



- NOTE:
1. CRIMPED FERRULE
HEX CRIMP SIZE ".151"
 2. CONTACT PIN TO SOLDER

QTY	FINISH	MATERIAL	DESCRIPTION
1	BLACK	COPPER	HEAT SHRINK TUBE
1	GOLD	BRASS	FERRULE
1	GOLD	SILICONE	COVER
1	RED	BER. COPPER	GASKET
1	NATURAL	BRASS	RETAINER RING
1	GOLD	TEFLON	CONTACT PIN
1	NATURAL	BRASS	INSULATOR
1	GOLD	BRASS	HOUSING/BODY

UNLESS OTHERWISE SPECIFIED DIMENSIONS ARE IN MILLIMETERS. DIMENSIONS IN [] ARE IN INCHES AND FOR CUSTOMER REFERENCE ONLY.	APPROVALS	DATE
UNLESS OTHERWISE SPECIFIED TOLERANCES FOR MILLIMETERS ARE: 0.5 - 8mm ± 0.20mm 8 - 30mm ± 0.40mm 30 - 120mm ± 0.50mm	DRAWN G.R.S.	02/18/03
UNLESS OTHERWISE SPECIFIED TOLERANCES FOR INCHES ARE: .020 - .315 = ± 0.007" .315 - 1.180 = ± 0.015" 1.180 - 4.724 = ± 0.020"	CHECKED	
DO NOT SCALE DRAWING	ISSUED	
	SHEET 1 OF 1	

CAD FILE C:/132/132182.DWG	DWG. NO. 132182.DWG	REV. C	SIZE A	SCALE NA
----------------------------	---------------------	--------	--------	----------

PART DESCRIPTION	
SMA R/A CRIMP PLUG (FOR RG-316/U CABLE)	
PART NO.	132182

Amphenol Connex